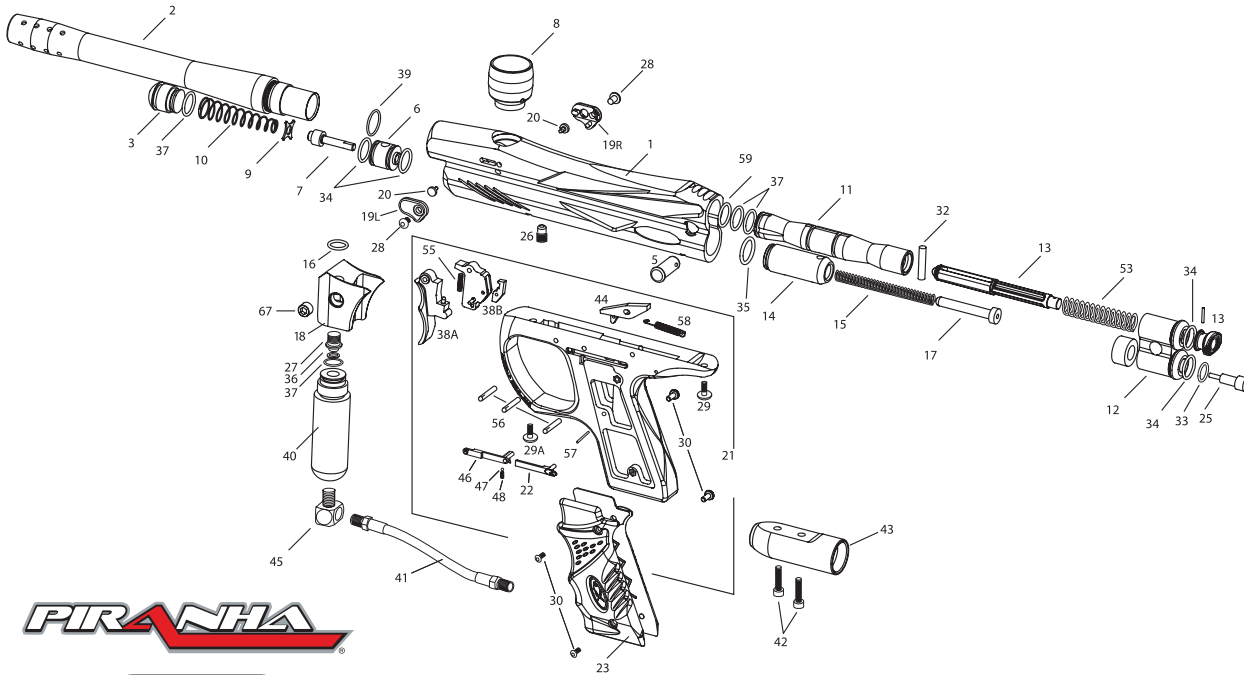


**Piranha®  
GTI**



description	item no.	description	item no.
1A. Milled Receiver Body - Matte Black	73100	27. ASA Screw	71580
1B. Milled Receiver Body - Matte Blue	73101	28. Ball Detent Screw	10180
1C. Milled Receiver Body - Matte Gunmetal	73102	29. Rear Trigger Frame Screw	10682
2. 9" Barrel	73120	29A. Front Trigger Frame Screw	71583
3. End Cap GTI	73123	30. Grip Screws	10782
5. Field Strip Pin Assembly	10038	32. Bolt Pin	10291
6. Valve Body	10027	33. Velocity Screw O-Ring	10460
7. Red Valve Cup Seal Assembly	10140	34. Valve/Rear Block O-Rings	10260
7. Black Valve Cup Seal Assembly	10127	35. Blue Hammer O-Ring	10129
8A. Removable Low Rise - Matte Black	73110	36. Screen Filter	71667
8B. Removable Low Rise - Matte Blue	73111	37. Bolt O-Rings	41010
8C. Removable Low Rise - Matte Gunmetal	73112	37. Gas Thru Grip O-Ring	41010
9. Valve Guide	10520	37. ASA Slug O-Ring	41010
10. Valve Spring	71597	38A. Trigger	73141
11. Molded Flush Cocking Bolt	73124	38B. Trigger Pawl Assembly	73142
12. Molded Flush Cocking Rear Block Assembly	73127	39. Barrel O-Ring	10161
13. Molded Flush Cocking Rod	73126	40. Gas-Thru Foregrip	73121
14. Hammer Assembly	10024	41. 6.25" SS hose	47011
15. Blue Hammer Spring	10351	42. Bottom line SS screw	42016
16. ASA O-ring	10257	43. Straight Bottomline Adapter	73122
17. Spring Guide	10301	44. Sear	10721
18A. Vertical ASA Adapter - Matte Black	73105	45. 90° Elbows	47000
18B. Vertical ASA Adapter - Matte Blue	73106	46. Safety Slide	73143
18C. Vertical ASA Adapter - Matte Gunmetal	73107	47. Safety Ball	10730
19L. Ball Detent Cap Left	73129	48. Safety Spring	10750
19R. Ball Detent Cap Right	73130	53. Flush Spring	10203
20. Ball Detent	10160	55. Trigger Spring	73146
21. Polymer Frame Assembly '07	73140	56. Sear/Trigger Pin	10766
22. Sear Release Slide	73144	57. Trigger/Spring Pin	10767
23. Wrap Around Grip	73145	58. Sear Spring	10753
25. Velocity Screw	10026	59. Front Bolt O-Ring	57738
26. Valve Set Screw	10513	67. 1/8th" NPT Plug	47006